

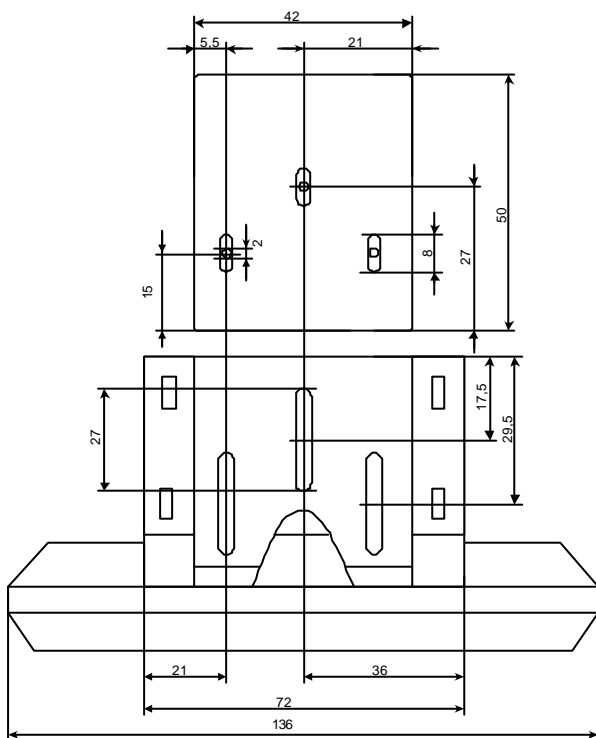
## Handsets HSU-xxx

## Data sheet

This data sheet describes the handset for the synchronous controls CBS-2-xxx, CBB-x-xxx and CBM-6-xxx.  
The handset represents the interface between the control and the user.

### Type and Dimensions (in mm)

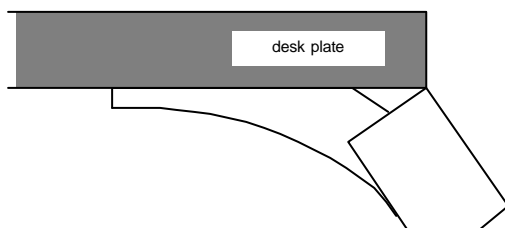
top view:



front view:

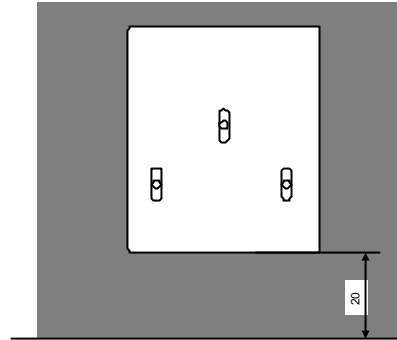


side view:



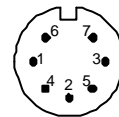
### Mounting

The mounting plate should be installed in the indicated distance from the desk edge.



### Pin Assignment

Handset plug (according to DIN 45329):



1.....	RxD	5.....	HS2
2.....	HS3	6.....	TxD
3.....	HS1	7.....	+5V
4.....	HS4	Shell.....	GND

### Technical Data

Operating voltage..... 5 V  
Weight ..... 0,3 kg  
Ambient Temperature..... 0 – 50 °C  
Connector..... 7 pin DIN – plug  
Length of the handset cable..... 2m

### Types

HSU-OD-2 ..... 1 x Up / Down  
HSU-OD-4 ..... 2 x Up / Down  
HSU-OD-4M2..... 4 x Memo, 1 x Up / Down  
HSU-OD-4M4..... 4 x Memo, 2 x Up / Down  
HSU-MDF-4M2... Display, 4 x Memo, 1 x Up / Down  
HSU-MDF-4M4... Display, 4 x Memo, 2 x Up / Down  
HSU-MDF-2 ..... Display, 1 x Up / Down